



Double Layered: Web Application for intrusion Detection and Preventions in Multi-tier web Application

Prof. Anup Raut¹, Ashish Samudre², Harshad Dhanwade³, Dharmaraj Chavan⁴, Sanket Bhujbal⁵

Professor, Computer Engineering, KJEE's Trinity College of Engineering, Pune, India¹

Student, Computer Engineering, KJEE's Trinity College of Engineering, Pune, India²

Student, Computer Engineering, KJEE's Trinity College of Engineering, Pune, India³

Student, Computer Engineering, KJEE's Trinity College of Engineering, Pune, India⁴

Student, Computer Engineering, KJEE's Trinity College of Engineering, Pune, India⁵

Abstract— Internet services and the application are the important part of daily life. With the help of internet one person can easily communicate with another person. This paper presents that double layered system and IDS system is used to model network behaviour of user. The front end is Web server and back end is Database. Double layer is used to detect and prevent attacks in web based application. By using Double layered system can monitor various system activities within the system and outside the system. It model system behaviour by monitoring various activities within system. It monitor various attack by collecting real world traffic in both static web applications and dynamic web applications. Double layered system monitor attack by filtering various activities within the system to detect the intrusion in multitier web application. By using double layered system, system security is increased with minimum false rate.

Keywords— IDS: Intrusion Detection System

I. INTRODUCTION

In today's era, internet services and web application have become unavoidable part of life. Internet services and web-application are widely used and being essential part of human life. Now days people uses various web services such as net banking, mobile banking ,online shopping ,online investment to make their life easy therefore it is essential for today's era to maintain secure and believable web environment. Therefore Double Layered Web application for intrusion detection and preventions in multi-tier web application that improves the system security by mapping all requests coming to server to set of database away. Double layered mainly used to detect and prevent various attacks in multi-tier web application. Intrusion detection system is basically software or hardware component that can monitor various activities generated within the system and generated toward the system [1]. intrusion detections are basically two type anomaly detection and misused detection. A excess of Intrusion Detection Systems (IDS) currently examine network packets individually within both the front end and the back end. To provide the high level security to multi-tier web application Double layered system detect known attack by comparing equivalent misused traffic arrangement or signature stored in database and prevent them.

II. EXISTING SYSTEM

In this system is effective at capturing number of attacks such as

- Privilege Escalation Attack.
- Hijack Future Session Attack.
- Injection Attack.
- Direct Database Attack.

These attackers to attack the front end web server and back end Data Base. IDS have been widely used to detect known attacks by matching misused traffic signature. To occur the traffic in this system.. IDS can be classified two types are anomaly detection and misuse detection. The IDS examine network packets individually within both the web server and database system and it's not easy to identify the attacks.

III. PROPOSED SYSTEM

These papers present a Prototype of Double layered using a webserver with a back-end Database and used to detect and prevent attacks in multitier web services. It uses use same algorithm for static and dynamic websites. It identifies all attacks and to clear the normal traffic. There is mapping between Web interruption and Database interruption Detection system to detect attack.

Modules:-

- Static website.

- Dynamic website.
- Detection of various attacks.
- Prevention of Various attacks

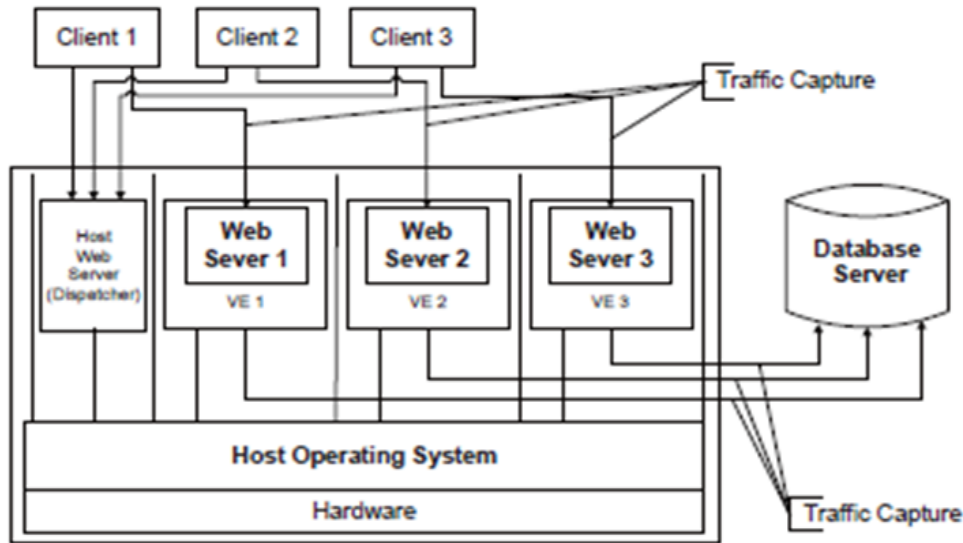


Fig.1. Proposed System Architecture

IV. CONCLUSIONS

This paper presented an intrusion detection system that builds models of normal behavior for multi-tiered web applications from both front-end web (HTTP) requests and back-end database (SQL) queries. Double layered was able to identify wide range of attacks with minimal false positives. We presented an Intrusion Detection System that builds models for Multi-Tiered Web Applications from both Front-end (HTTP) and Back-end (SQL).

ACKNOWLEDGMENT

Initially the different Intrusion Detection System (IDS) is used for static web site and dynamic web site for detecting the attacks. There are other aspects which are major focus of interest. The single Intrusion Detection System (IDS) is used for static web site and dynamic web site for detecting the attacks and preventing the attacks. These single Intrusion Detection System (IDS) for static web site and dynamic web site is called as double layered.

REFERENCES

- [1] Meixing Le Angelos Stavrou, Brent ByungHoon Kang "DoubleGuard: Intrusion Detection in multi-tier Web Applications", IEEE TRANSACTIONS ON DEPENDABLE AND SECURE COMPUTING VOL.9 NO.4 YEAR 2012.
- [2] I.Jasmine Selvakumari Jeya, Harsha Thomas "Container and Virtualization Concept for Bi-filter Intrusion Detection with Caching of Web Requests in Relational Database", International Journal of Advancements in Research & Technology, Volume 2, Issue4, April- 2013 .
- [3] Kun Bai, Hai Wang, and Peng Liu, Towards Database Firewalls.
- [4] Yonghee Shin,Laurie, Williams,Tao Xie," SQLUnitGen: SQL Injection Testing Using Static and Dynamic Analysis
- [5] W. G. J. Halfond and A. Orso, "AMNESIA: Analysis and Monitoring for NEutralizing SQL- Injection Attacks," in Proceedings of 20th ACM International Conference on Automated Software Engineering (ASE'05), Long Beach, California, U.S.A., 2005, pp. 174 - 183.
- [6] Y. Huang, A. Stavrou, A. K. Ghosh, and S. Jajodia. Efficiently tracking application interactions using lightweight virtualization. In Proceedings of the 1st ACM workshop on Virtual machine security, 2008.
- [7] B. Parno, J. M. McCune, D. Wendlandt, D. G. Andersen, and A. Perrig. CLAMP: Practical prevention of large-scale data leaks. In IEEE Symposium on Security and Privacy. IEEE Computer Society, 2009.
- [8] J. Newsome, B. Karp, and D. X. Song. Polygraph: Automatically generating signatures for polymorphic worms. In IEEE Symposium on Security and Privacy. IEEE Computer Society, 2005.
- [9] B. Parno, J. M. McCune, D. Wendlandt, D. G. Andersen, and A. Perrig. CLAMP: Practical prevention of large-scale data leaks. In IEEE Symposium on Security and Privacy. IEEE Computer Society, 2009.
- [10] W. Robertson, F. Maggi, C. Kruegel, and G. Vigna. Effective Anomaly Detection with Scarce Training Data. In Proceedings of the Network and Distributed System Security Symposium (NDSS), 2010.