



Voice Operated Intelligent Wheelchair

Ms. S. D. Suryawanshi
Electronics Department
Bharati Vidyapeeth University
India.

Mr. J. S. Chitode
Electronics Department
Bharati Vidyapeeth University
India.

Ms. S. S. Pethakar
Electronics Department
Bharati Vidyapeeth University
India.

Abstract — Powered wheelchairs with the standard joystick interface are unable to control by many people. A voice controlled wheelchair can provide easy access for physical disabled person who cannot control their movements especially the hands. The powered wheelchair depends on the motor control and drive system which consists of ARM Processor LPC2138 and DC Motor. Once the voice recognition system recognizes the voice commands in comparison to the prestored memory, the respective coded digital signals would be sent to ARM Processor which then controls the wheelchair accordingly.

Keywords— Powered wheelchair, Voice Recognition system, joystick, prestored memory

I. INTRODUCTION

The goal of this smart wheelchair project is to enhance an ordinary powered wheelchair using sensors to perceive the wheelchair's surroundings, a speech interface to interpret commands. Intelligent wheelchair will play an important role in the future welfare society. The use of intelligent wheelchair encourages the view of the machine as a partner rather than as a tool. The population of people with disabilities has risen markedly during the past century. As the data come from the National Health Interview Survey (NHIS), two distinct trends have contributed to the increasing overall prevalence of disability: a gradual rise, due largely to demographic shifts associated with an aging population, as well as a rapid increase that is due to health impairments and accidents. Many individuals have problems to use a conventional wheelchair. A recent clinical survey indicated that 9%-10% of patients who received power wheelchair training found it extremely difficult or impossible to use it for their activities of daily living, and 40% of patients found the steering and maneuvering tasks difficult or impossible. These people, suffering from motor deficits, disorientation, amnesia, or cognitive deficits, are dependent upon others to push them, so often feel powerless and out of control. Intelligent wheelchair has the potential to provide these people with effective ways to alleviate the impact of their limitations, by compensating for their specific impairments. In particular, robotic wheelchairs may help in maneuvering a wheelchair and planning motion. Recently, research of assistant robots is also emerging field of robotic applications.

II. Overview of the intelligent wheelchair:

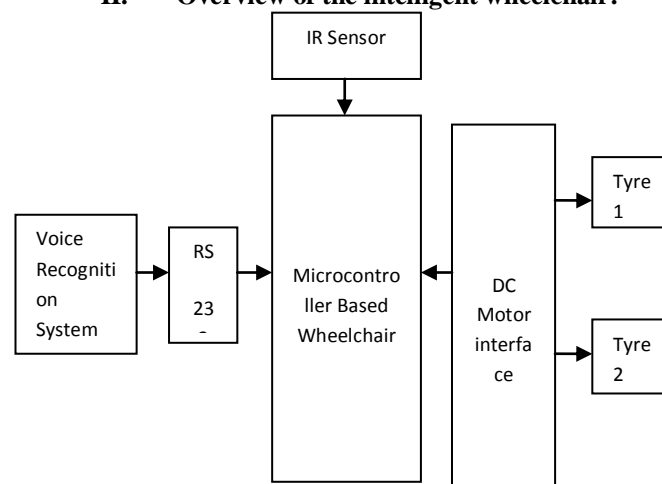


Fig1 Block Diagram of voice operated intelligent wheelchair

In our project, voice recognition system is used as user interface. The block diagram of the intelligent wheelchair with motor drive and control system is shown in figure 1.

Here we are making a speech recognition based wheel chair for patients. The patients who cannot walk and have to use a wheel chair can navigate the wheel chair by their voice. Here we are using the voice recognition using pattern recognition in MATLAB s/w.

First the patient has to mount the wheel chair. Then the patient can give voice commands via a head phone. These commands are processed in the MATLAB s/w and according signals are then sent to the μ on board the wheel chair.

We have made a motorized miniature model of the wheel chair. The wheel chair is operated by 2 DC motors. The μ operates these DC motors and controls the wheel chair accordingly. The voice commands are: Forward, Reverse, Left, Right, stop.

III. Speech Recognition Using Matlab (based on Pattern recognition)

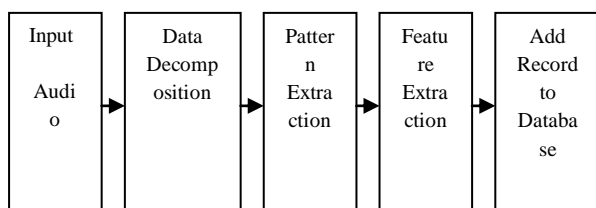


Fig2 Procedure for Speech Feature's Extraction.

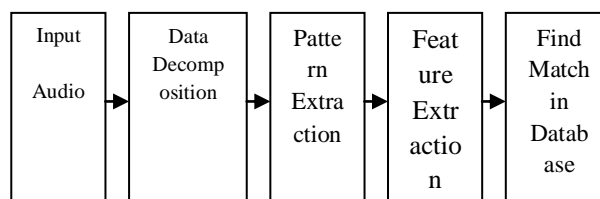


Fig3 Procedure for Speech Recognition

Pattern recognition aims to classify data (patterns) based on either a priori knowledge or on statistical information extracted from the patterns. The patterns to be classified are usually groups of measurements or observations, defining points in an appropriate multidimensional space. This in contrast to pattern matching, where the pattern is rigidly specified. A complete pattern recognition system consists of a method that gathers the observations to be classified or described; a feature extraction mechanism that computes numeric or symbolic information from the observations, and a classification or description scheme that does the actual job of classifying or describing observations, relying on the extracted features. The classification or description scheme is usually based on the availability of a set of patterns that have already been classified or described. This set of patterns is termed the training set and the resulting learning strategy is characterized as supervised learning. Learning can also be unsupervised, in the sense that the system is not given an a priori labelling of patterns, instead it establishes the classes itself based on the statistical regularities of the patterns. The classification or description scheme usually uses statistical approach. Statistical pattern recognition is based on statistical characterizations of patterns, assuming that the patterns are generated by a probabilistic system. A wide range of algorithms can be applied for pattern recognition, from very simple Bayesian classifiers to much more powerful neural networks. An intriguing problem in pattern recognition yet to be solved is the relationship between the problem to be solved (data to be classified) and the performance of various pattern recognition algorithms (classifiers).

IV. Wheelchair operation

When the voice is detected, the wheelchair can be controlled to move in that direction by giving commands to the wheelchair. These commands are transferred to the wheelchair using electrical signals which are used to drive the left or right motor of the wheelchair. There are basically two motors connected to the left and right wheels of the wheelchair. The electrical signals are transferred to these motors using some hardware ports, called the communication ports. Generally, the communication port is the parallel port. There are some basic predefined pins of this parallel port which accept the commands given to the wheelchair in the form of electrical signals. For the purpose of demonstration of wheelchair movement using eye motion, a wheelchair model is designed in this project, which works on batteries. This model of wheelchair is shown in Fig. 3 below.



Fig4: Model of Wheelchair

Four wheels are used in the wheelchair for proper balancing. The movement of wheels is controlled by DC motors which are attached to the wheelchair. Two wheels located on left side of the wheelchair are controlled by one motor and similarly the wheels on the right side are controlled by the second motor.

The other circuitry built into the wheelchair includes the transmitter and receiver circuits and the obstacle detection circuit. It involves two IR signal emitters which emit IR signals continuously when some obstacle appears in front of the wheelchair, these IR signals are obstructed, and reflected back. These reflected signals are then detected by the IR sensor

present just at the side of the emitters. As the IR signals are detected, a circuit is connected to the buzzer, and the buzzer beeps. At the same time, signal is transmitted back to the voice recognition system so as to stop the wheelchair.

V. Results:

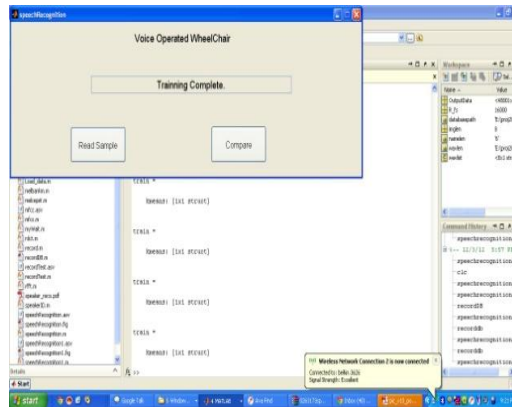


Fig 5: Storage for voice commands

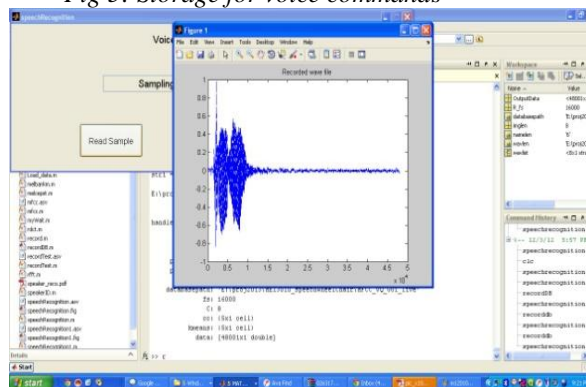


Fig 6: Accepting the fresh command

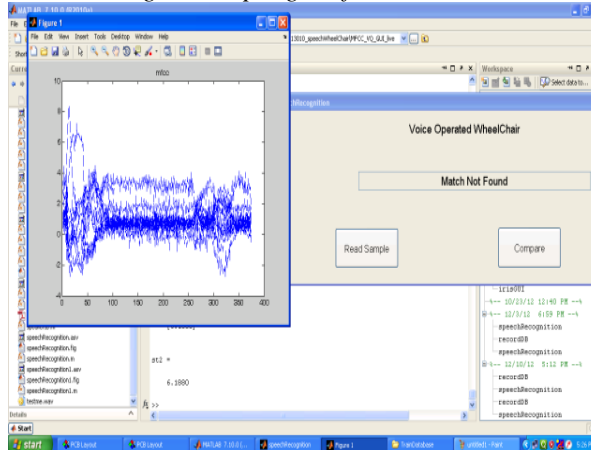


Fig 8: Comparing the fresh command with stored commands.



Fig 8: Wheelchair

VI. Conclusion

The motor drive and control system of the prototype intelligent wheelchair has been presented. The proposed ARM Processor based voice operated intelligent wheelchair would bring more convenience for the disabled people. The technology can also enhance safety for users who use ordinary joystick-controlled powered wheelchairs, by preventing collisions with walls, fixed objects, furniture and other people.

References:

- [1] S.A. Chhabria and R.V. Dharaskar 'Multimodal Interface for Disabled Persons', *international Journal of Computer Science and Communication-January-June 2011*,
- [2] R.C. Simpson, 'Smart Wheelchairs: A Literature Review', *J. Rehabil. Res. Develop.*, 42, pp. 423-436, 2005.
- [3] J.Z. Yi, Y.K. Tan, Z.R. Ang, 'Microcontroller Based Voice-Activated Powered Wheelchair Control' ACM 2007 ISBN: 978-1-59593-852-7.
- [4] L. Fehr, W. Edwin Langbein, and S.B. Skaar, 'Adequacy of Power Wheelchair Control Interfaces for Persons with Severe Disabilities: A Clinical Survey', *J. Rehabil. Res. Develop.*, 37 (3), pp. 353-360, 2000.
- [5] Yasunari Obuchi, *Multiple-Microphone Robust Speech Recognition Using Decoder-Based Channel Selection*, Advanced Research Laboratory, Japan, 2004
- [6] Javier Hernando and Climent Nadeu, *Speech Recognition In Noisy Car Environment Based On OsaLPC Representation And Robust Similarity Measuring Techniques*, Signal Theory and comm.. Dept., Spain, 1994
- [7] Shahina, B. Yenalarayana and M.R. Kesheory, *Throat Microphone signal for speaker recognition*